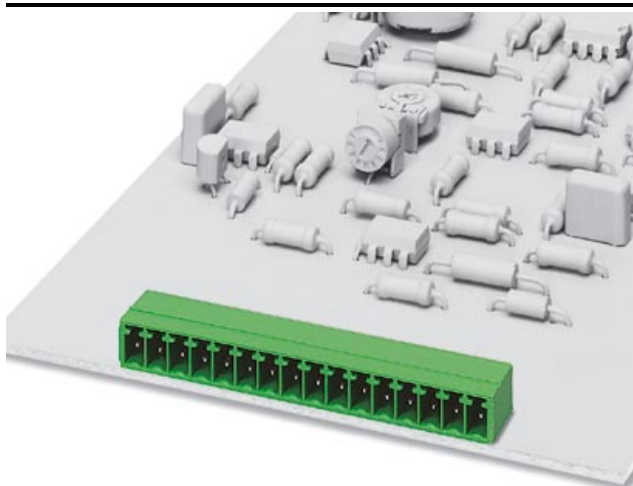


Please note that the data given here has been taken from the online catalog. For comprehensive information and data, please refer to the user documentation at <http://www.download.phoenixcontact.com>. The General Terms and Conditions of Use apply to Internet downloads.

▶ Extract from the online catalog



Header, nominal current: 8 A, rated voltage: 160 V, pitch: 3.5 mm, no. of positions: 8, mounting: Soldering

The illustration shows a 16-position version

Order No.	1844278
Ord designation	MC 1,5/ 8-G-3,5
EAN	4017918113315
Pack	50 Pcs.
Customs tariff	85369010
Catalog page information	Page 108 (CC-2005)

▶ Product notes

WEEE/RoHS-compliant since: 01/01/2003



▶ Technical data

Dimensions / positions

Pitch	3.5 mm
Dimension a	24.5 mm
Number of positions	8
Pin dimensions	0,8 x 0,8 mm
Hole diameter	1.2 mm

Technical data

Insulating material group	IIIa
Rated surge voltage (III/3)	2.5 kV
Rated surge voltage (III/2)	2.5 kV
Rated surge voltage (II/2)	2.5 kV
Rated voltage (III/2)	160 V
Rated voltage (II/2)	250 V
Connection in acc. with standard	EN-VDE
Nominal current I_N	8 A
Nominal voltage U_N	160 V
Maximum load current	8 A
Insulating material	PBT
Inflammability class acc. to UL 94	V0

► Certificates

Certificate logos



CSA

Nominal voltage U_N	300 V
Nominal current I_N	8 A

CUL

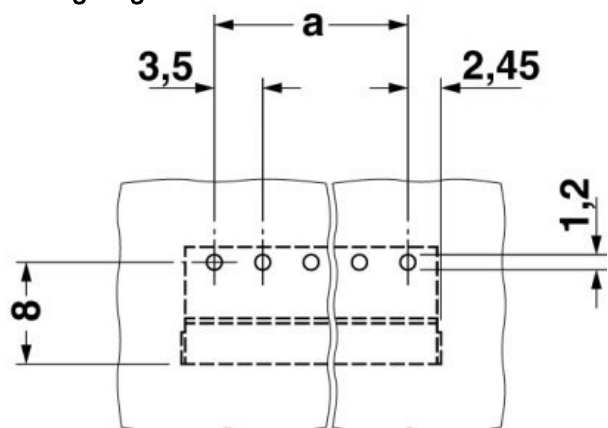
Comments	all numbers of positions are accepted
Nominal voltage U_N	300 V
Nominal current I_N	8 A
Nominal voltage U_N	250 V
Nominal current I_N	8 A

UL

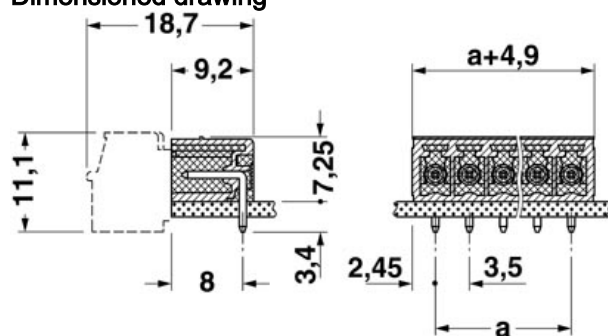
Nominal voltage U_N	300 V
Nominal current I_N	8 A
Nominal voltage U_N	250 V
Nominal current I_N	8 A

▶ Drawings

Drilling diagram



Dimensioned drawing



► Accessories

Item	Designation	Description
General		
1841161	MC 1,5/10-LWL 1,5-3,5	MINI-COMBICON optical fibers, pitch 3.5 mm, 10-position, divisible, are snapped into the back of the MC header, color: transparent, dimension a: 1.5 mm
1841187	MC 1,5/10-LWL 2,3-3,5	MINI-COMBICON optical fibers, pitch 3.5 mm, 10-position, divisible, are snapped into the back of the MC header, color: transparent, dimension a: 2.3 mm
1841200	MC 1,5/10-LWL 4-3,5	MINI-COMBICON optical fibers, pitch 3.5 mm, 10-position, divisible, are snapped into the back of the MC header, color: transparent, dimension a: 4.0 mm
Marking		
0804073	SK 3,5/2,8:FORTL.ZAHLEN	
Plug/Adapter		
1734634	CP-MSTB	Coding section, is inserted into the slot on the plug or inverted header, red insulating material

► Additional products

Item	Designation	Description
General		
1840421	MC 1,5/ 8-ST-3,5	Plug component, nominal current: 8 A, rated voltage: 160 V, pitch: 3.5 mm, no. of positions: 8, type of connection: Screw connection
1863217	MCVR 1,5/ 8-ST-3,5	Plug component, nominal current: 8 A, rated voltage: 160 V, pitch: 3.5 mm, no. of positions: 8, type of connection: Screw connection
1862917	MCVW 1,5/ 8-ST-3,5	Plug component, nominal current: 8 A, rated voltage: 160 V, pitch: 3.5 mm, no. of positions: 8, type of connection: Screw connection

► Address

PHOENIX CONTACT GmbH & Co. KG
Flachsmarktstr. 8
32825 Blomberg
Germany
Phone +49 5235 3 00
Fax +49 5235 3 41200
<http://www.phoenixcontact.com>
Phoenix Contact
Technical modifications reserved;